

G

LOGIC VALVES

| Valve Type | Graphic Symbols | Maximum Operating Pressure MPa (PSI) | Rated Flow | | | | | | | | | | | | Page |
|---|-----------------|---|--|--|--|--|--|--|--|--|--|--|--|--|------|
| | | | U.S.GPM 1500 1000 500 300 200 100 50 30 20 10 5 3 2 1 .5 L/min 6000 3000 1000 | | | | | | | | | | | | |
| Directional Control Logic Valves Directional and Flow Control Logic Valves | | 31.5 (4570) | LD | | | | | | | | | | | | 650 |
| Solenoid Operated Directional Control Logic Valves | | 31.5 (4570) | LDS | | | | | | | | | | | | 651 |
| Relief Logic Valves | | 31.5 (4570) | LB | | | | | | | | | | | | 652 |
| Solenoid Controlled Relief Logic Valves | | 31.5 (4570) | LBS | | | | | | | | | | | | 653 |

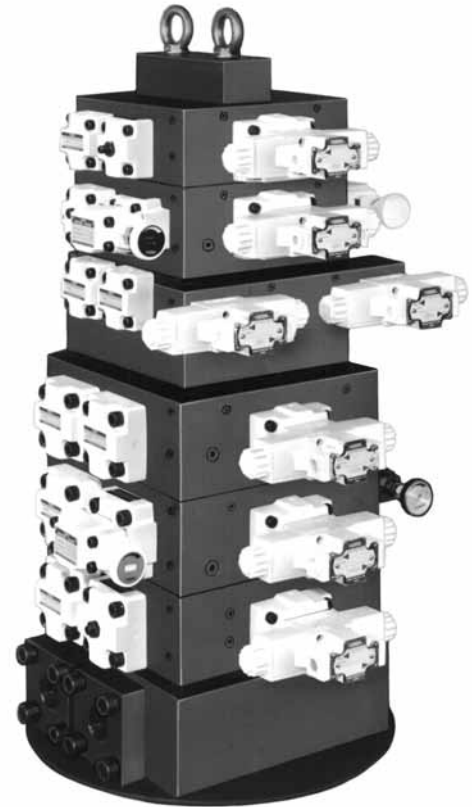
Consult Yuken when detailed material such as dimensions figures is required.

Logic Valves

Yuken Logic Valves comprise cartridge typed elements and covers with pilot passages. Various types may be combined for direction, flow rate and pressure control.

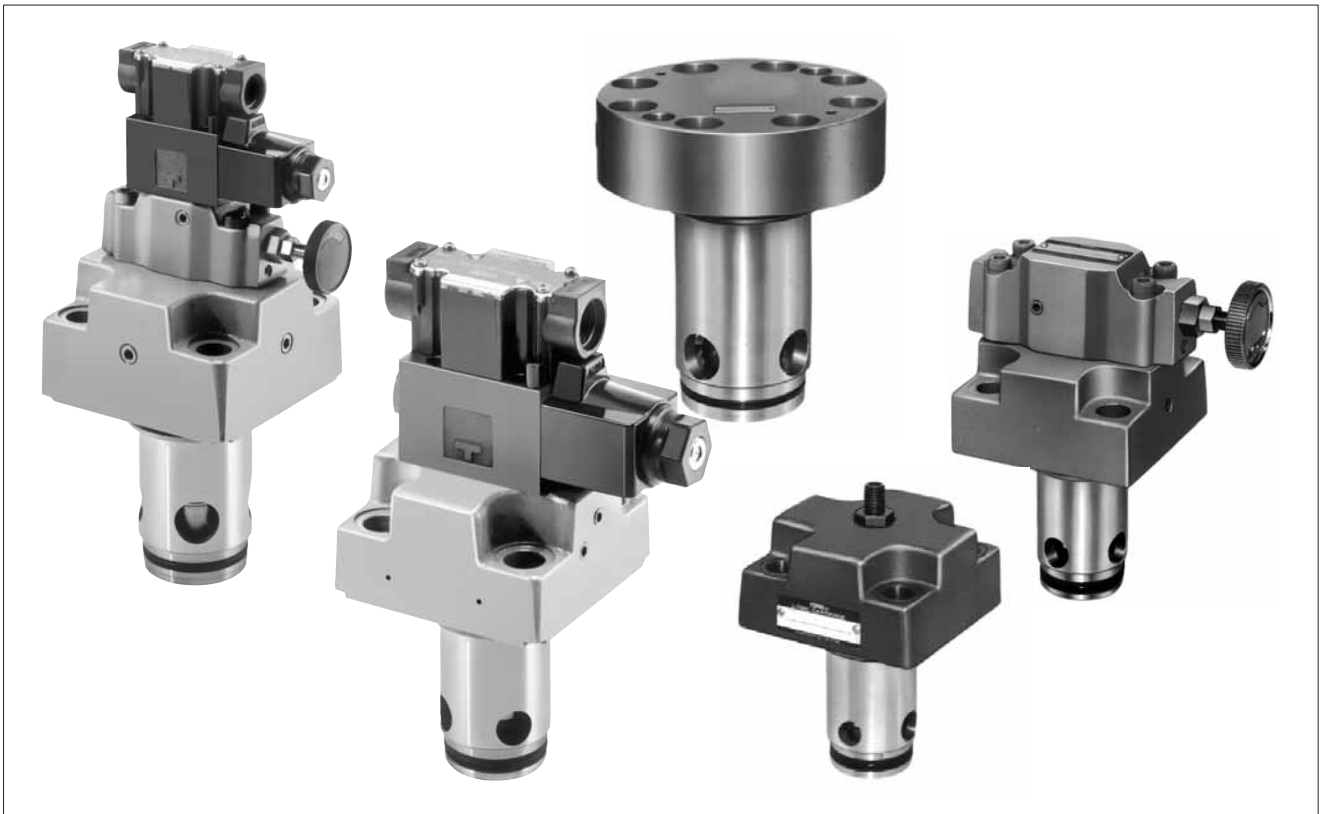
Yuken Logic Valves can be incorporated in manifold blocks to form optimum integrated hydraulic circuits and compact hydraulic power units. Being a poppet type, the elements permit high-pressure, high flow rates, high speed and shockless shifting with low pressure drop.

Typical applications include steel mill machines, injection moulding machines, machine tools and so on. In addition, Yuken Logic Valves cavity specifications conform to ISO standards.



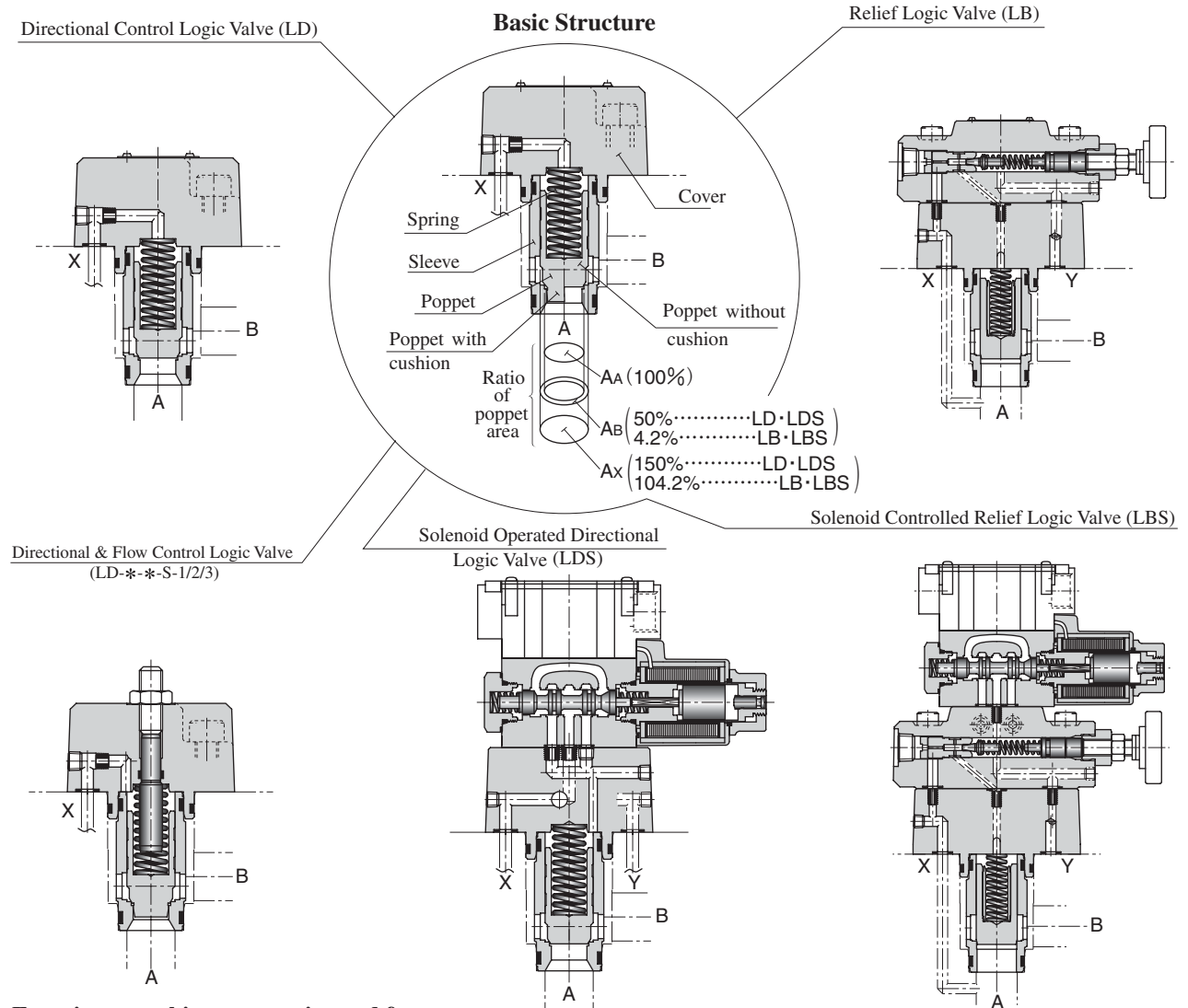
Features

- Multifunction performance in terms of direction, flow and pressure can be obtained by combining elements and covers.
- Poppet-type elements virtually eliminate internal leakage and hydraulic locking. Because there are no overlaps, response times are very high, permitting high-speed shifting.
- For high pressure, large capacity systems, optimum performance is achieved with low pressure losses.
- Since the logic valves are directly incorporated in cavities provided in blocks, the system is free from problems related to piping such as oil leakage, vibration and noise, and higher reliability is achieved.
- Multi-function logic valves permit compact integrated hydraulic systems which reduce manifold dimensions and mass and achieve lower cost conventional types.



Structure and Functions

- As shown below, a logic valve consists of a cover, a sleeve, a poppet and a spring incorporated in a block. Although it is a simple two-port valve designed to open and close the poppet in accordance with the pressure signals from the pilot line, it serves as a multifunctional valve for controlling the direction, flow and pressure by controlling the pressure signals. Standard covers have several pressure signal ports (pilot ports) and control valves for control purposes are available. The covers are spigot mounted. There is no risk of oil leakage.



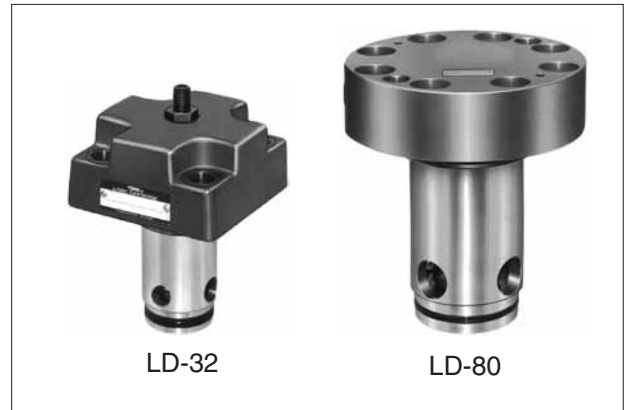
Functions, working area ratios and features

| Function | Graphic Symbols | Working area ratio (AA : AB) | Features |
|--------------------|-----------------|------------------------------|--|
| Direction | | 2 : 1 | <ul style="list-style-type: none"> Poppet shape Without cushion (LD/LDS-*-*) : high-speed shift With cushion (LD/LDS-*-S) : Shockless shift No leakage between port A and B Flow A to B and B to A are possible Response time and shock can be adjusted by orifice selection. |
| Direction and Flow | | | <ul style="list-style-type: none"> Poppet shape With cushion (LD-*-S-1/2/3) : flow control. No leakage between port A and B Flow A to B only is possible. Response time and shock can be adjusted by orifice selection. |
| Relief | | 24 : 1 | <ul style="list-style-type: none"> Remote and unloading control is possible with vent circuit (LB-*-*) . Two or three pressure controls are possible in combination of solenoid operated directional valve and pilot relief valve (LBS-*-*) . |

Directional Control / Directional & Flow Control Logic Valves

These valves are 2-way directional valves designed to open and close the circuits in accordance with pressure signals from the pilot lines. They are used as multifunctional valves for controlling flow directions or flow directions and rates.

Standard covers provided with a choice of several control valves are available so that optimum valves can be selected for control purposes.

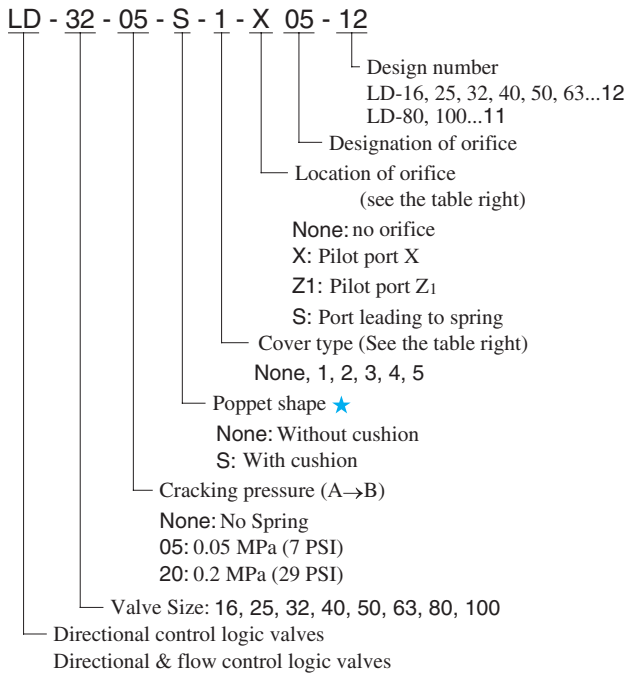


Specifications

| Model No. | Rated Flow L/min (U.S.GPM) | Max. Operating Pressure MPa (PSI) | Cracking Pressure MPa (PSI) | Ratio of Poppet Area | Approx. Mass kg (lbs.) |
|-----------|----------------------------------|--------------------------------------|--------------------------------|-----------------------------|---------------------------|
| LD-16 | 130 (34.3) | 31.5 (4570) | Refer to Model No. Designation | 2 : 1 (Annular area 50%) | 1.6 (3.5) |
| LD-25 | 350 (92.5) | | | | 3.0 (6.6) |
| LD-32 | 500 (132) | | | | 5.3 (11.7) |
| LD-40 | 850 (225) | | | | 9.1 (20.1) |
| LD-50 | 1400 (370) | | | | 14.8 (32.6) |
| LD-63 | 2100 (555) | | | | 29.8 (65.7) |
| LD-80 | 3400 (898) | | | | 48 (106) |
| LD-100 | 5500 (1453) | | | | 86 (190) |

Note: The rated flow is values with a pressure drop of 0.3 MPa (44 PSI) [fluid viscosity 35 mm²/s (164 SSU)].

Model Number Designation



★ Poppet shapes

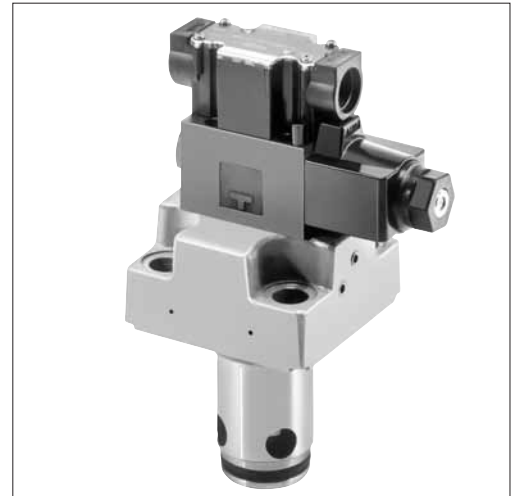
The type without a cushion and the type with a cushion are both suitable for high-speed shifting and shockless shifting respectively. For directional and flow control logic valves, be sure to specify "poppet with cushions".

List of Cover Types

| Cover Type Designation | Graphic Symbols | Valve Size | | | | | | | | |
|----------------------------|--|------------|----|----|----|----|----|----|-----|---|
| | | 16 | 25 | 32 | 40 | 50 | 63 | 80 | 100 | |
| Directional Control | Standard (None) | | ○ | ○ | ○ | ○ | ○ | ○ | ○ | ○ |
| | With Check Valve (4) | | ○ | ○ | ○ | ○ | ○ | ○ | — | — |
| | With Shuttle Valve (5) | | ○ | ○ | ○ | ○ | ○ | ○ | — | — |
| Directional & Flow Control | With Stroke Adjuster (1) | | ○ | ○ | ○ | ○ | ○ | ○ | ○ | ○ |
| | With Check Valve & Stroke Adjuster (2) | | ○ | ○ | ○ | ○ | ○ | ○ | — | — |
| | With Shuttle Valve & Stroke Adjuster (3) | | ○ | ○ | ○ | ○ | ○ | ○ | — | — |

Solenoid Operated Directional Control Logic Valves

These solenoid operated directional control logic valves are composed of directional control valves and solenoid operated directional valves combined together. The solenoid operated directional valves serve to switch pilot lines and the directional control valves are used to control the direction of the main circuits. Covers provided with various control valves are available to provide optimum control.

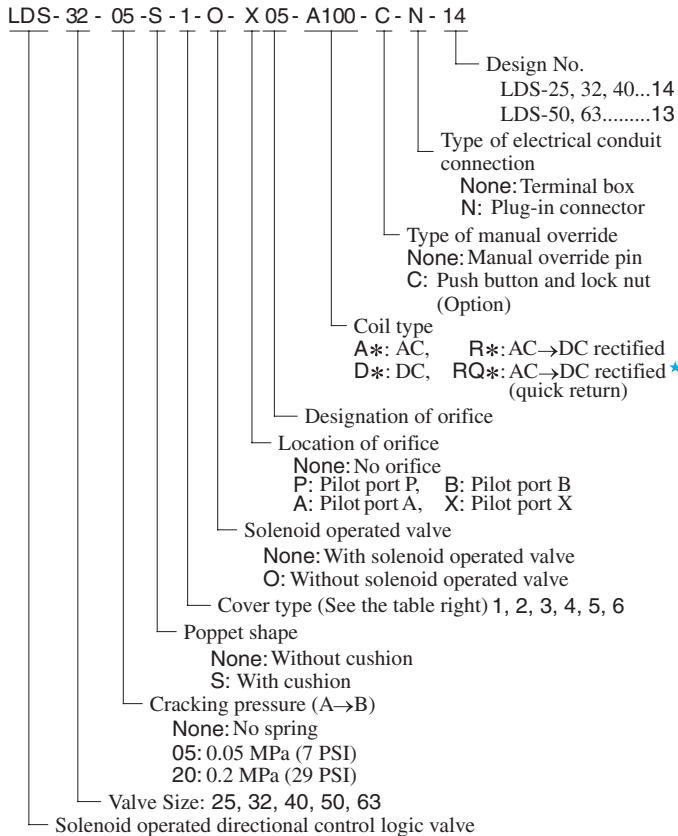


Specifications

| Model No. | Rated Flow L/min (U.S.GPM) | Max. Operating Pressure MPa (PSI) | Cracking Pressure MPa (PSI) | Ratio of Poppet Area | Approx. Mass kg(lbs.) |
|-----------|----------------------------|-----------------------------------|--------------------------------|--------------------------|-----------------------|
| LDS-25 | 350 (92.5) | 31.5 (4570) | Refer to Model No. Designation | 2 : 1 (Annular area 50%) | 4.2 (9.3) |
| LDS-32 | 500 (132) | | | | 6.5 (14.3) |
| LDS-40 | 850 (225) | | | | 10.3 (22.7) |
| LDS-50 | 1400 (370) | | | | 18.6 (41.0) |
| LDS-63 | 2100 (555) | | | | 33.6 (74.1) |

Note: The rated flow is values with a pressure drop of 0.3 MPa (44 PSI) [fluid viscosity 35mm²/s (164 SSU)].

Model Number Designation



* Applicable only for LDS-50, 63.

List of Cover Types

| Cover Type Designation | Graphic Symbols | Valve Size | | | | |
|--|-----------------|-----------------------|-----------------------|-----------------------|-----------------------|-----------------------|
| | | 25 | 32 | 40 | 50 | 63 |
| Normally Closed (1) | | <input type="radio"/> | <input type="radio"/> | <input type="radio"/> | <input type="radio"/> | <input type="radio"/> |
| Normally Open (2) | | <input type="radio"/> | <input type="radio"/> | <input type="radio"/> | <input type="radio"/> | <input type="radio"/> |
| Normally Closed with Shuttle Valve (3) | | <input type="radio"/> | <input type="radio"/> | <input type="radio"/> | <input type="radio"/> | <input type="radio"/> |
| Normally Open with Shuttle Valve (4) | | <input type="radio"/> | <input type="radio"/> | <input type="radio"/> | <input type="radio"/> | <input type="radio"/> |
| Normally Closed with Shuttle Valve (5) | | <input type="radio"/> | <input type="radio"/> | <input type="radio"/> | <input type="radio"/> | <input type="radio"/> |
| Normally Open with Shuttle Valve (6) | | <input type="radio"/> | <input type="radio"/> | <input type="radio"/> | <input type="radio"/> | <input type="radio"/> |

Note: In case of LDS-*-*-*-*-*O (without solenoid operated valve), the graphic symbol for the solenoid operated valve is excluded.

Relief Logic Valves

These relief logic valves are used to protect pumps and control valves from excessive pressure and control the pressures of their hydraulic lines at constant levels.

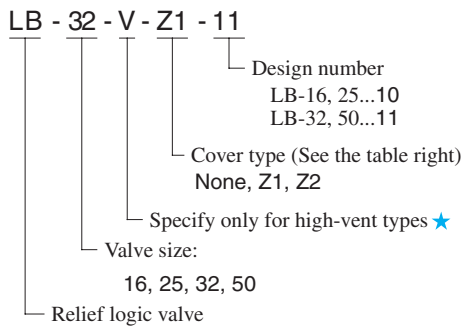
With the help of vent lines, they are also capable of remote and unload control.

Specifications

| Model Numbers | Max. Operating Pressure MPa (PSI) | Pres. Adj. Range MPa (PSI) | Max. Flow L/min (U.S.GPM) | Approx. Mass kg(lbs.) |
|---------------|--------------------------------------|-------------------------------|---------------------------------|--------------------------|
| LB-16-*-*-10 | 31.5 (4570) | 0.4 - 31.5 (60 - 4570) | 125 (33) | 3.6 (7.9) |
| LB-25-*-*-10 | | | 250 (66) | 4.5 (9.9) |
| LB-32-*-*-11 | | | 500 (132) | 6.7 (14.8) |
| LB-50-*-*-11 | | | 1200 (317) | 16.1 (35.5) |



Model Number Designation



★ Use high-vent pressure types if the shifting time from unloading to on-loading is reduced.

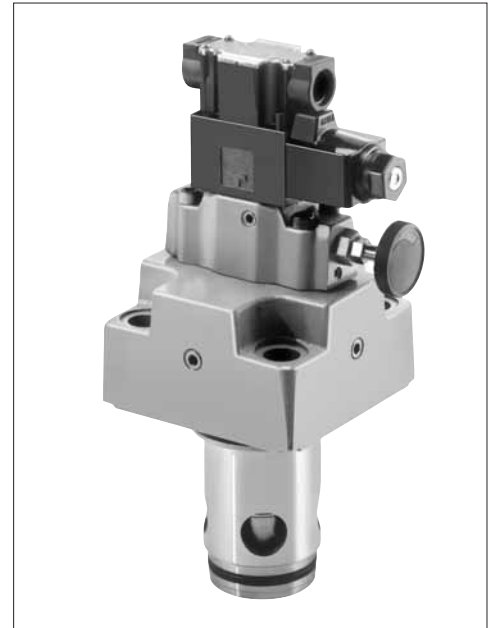
List of Cover Types

| Cover Type Designation | Graphic Symbols | Valve Size | | | |
|------------------------|-----------------|------------|----|----|----|
| | | 16 | 25 | 32 | 50 |
| Standard (None) | | ○ | ○ | ○ | ○ |
| Vent controlled (Z1) | | ○ | ○ | ○ | ○ |
| Vent controlled (Z2) | | ○ | ○ | ○ | ○ |

Solenoid Controlled Relief Logic Valves

These solenoid controlled relief logic valves are composite control valves having solenoid controlled directional and pilot relief valves and vent restrictors combined together.

This configuration eliminates pipes from the vent circuits of relief logic valves. They are used to put pumps into unloading operation, with the solenoid controlled directional valves serving to select pilot lines, or to place hydraulic system two or three pressure controls, with the pilot relief valves in action.

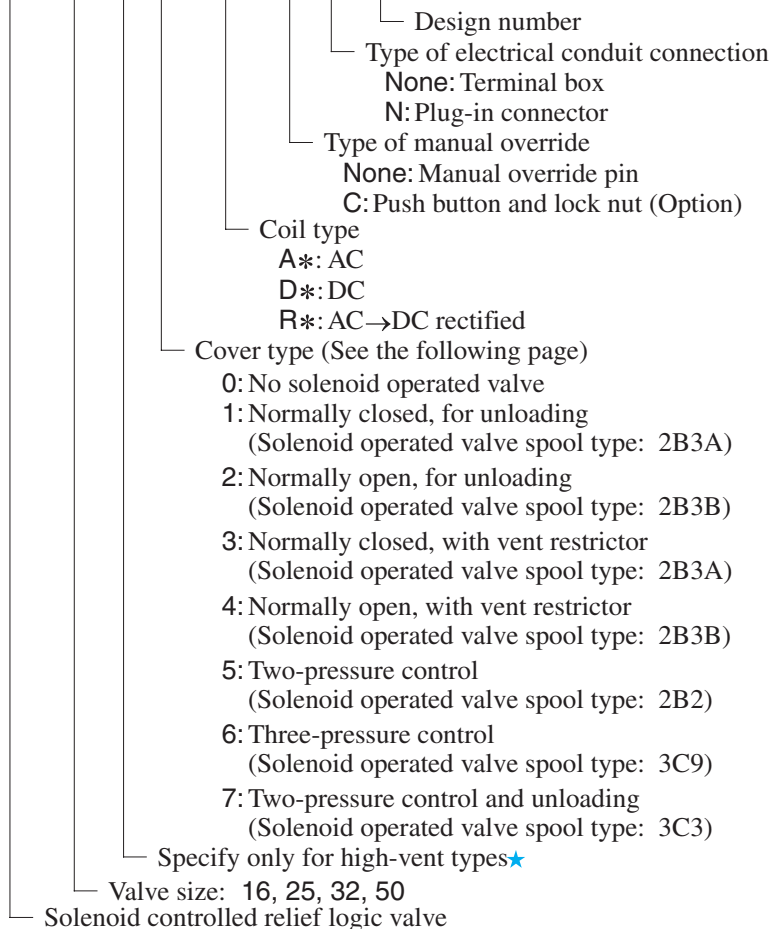


Specifications

| Model Numbers | Max. Operating Pressure MPa (PSI) | Pres. Adj. Range MPa (PSI) | Max. Flow L/min (U.S.GPM) | Approx. Mass kg(lbs.) | |
|----------------|--------------------------------------|-------------------------------|---------------------------------|--------------------------|-------------|
| | | | | LBS-*0 | LBS-*-1/2 |
| LBS-16-*-**-14 | 31.5 (4570) | 0.4 - 31.5 (60 - 4570) | 125 (33) | 7.2 (15.9) | 8.6 (19.0) |
| LBS-25-*-**-14 | | | 250 (66) | 8.1 (17.9) | 9.5 (20.9) |
| LBS-32-*-**-14 | | | 500 (132) | 10.3 (22.7) | 11.7 (25.8) |
| LBS-50-*-**-14 | | | 1200 (317) | 19.7 (43.4) | 21.1 (46.5) |

Model Number Designation

LBS- 32 - V - 1 - A100 - C - N - 14



★ Use high-vent pressure types if the shifting time from unloading to on-loading is reduced.



List of Cover Type

| Cover Type Designation | Graphic Symbols | Valve Size | | | |
|--|-----------------|--------------------------|--------------------------|--------------------------|--------------------------|
| | | 16 | 25 | 32 | 50 |
| Without Solenoid Valve (0) | | <input type="checkbox"/> | <input type="checkbox"/> | <input type="checkbox"/> | <input type="checkbox"/> |
| Normally Closed for Unloading (1) | | <input type="checkbox"/> | <input type="checkbox"/> | <input type="checkbox"/> | <input type="checkbox"/> |
| Normally Open for Unloading (2) | | <input type="checkbox"/> | <input type="checkbox"/> | <input type="checkbox"/> | <input type="checkbox"/> |
| Normally Closed with Vent Restrictor (3) | | <input type="checkbox"/> | <input type="checkbox"/> | <input type="checkbox"/> | <input type="checkbox"/> |
| Normally Open with Vent Restrictor (4) | | <input type="checkbox"/> | <input type="checkbox"/> | <input type="checkbox"/> | <input type="checkbox"/> |

| Cover Type Designation | Graphic Symbols | Valve Size | | | |
|--|-----------------|--------------------------|--------------------------|--------------------------|--------------------------|
| | | 16 | 25 | 32 | 50 |
| Two Pressure Control (5) | | <input type="checkbox"/> | <input type="checkbox"/> | <input type="checkbox"/> | <input type="checkbox"/> |
| Three Pressure Control (6) | | <input type="checkbox"/> | <input type="checkbox"/> | <input type="checkbox"/> | <input type="checkbox"/> |
| Two Pressure Control and Unloading (7) | | <input type="checkbox"/> | <input type="checkbox"/> | <input type="checkbox"/> | <input type="checkbox"/> |